

LZB Glass Tube Rotameter

LZB-4/6/10 F4 Series

LZB-4/6/10F4 ALL the anticorrosive glass rotameter flowmeters existed in the former market were some kinds of replacer, which were made of stainless steel, and these flowmeters couldn't perform the function of anticorrosive indeed. In order to flowmeter recently, whose main material is PTFE. At the same time, we succeeded in making the flow regulating valve by PTFE, which makes the glass rotameter with small diameter and also has the function of antiseptis. Regarding this product's design and manufacture, we have obtained the patent from issued by the State Intellectual Property Property Office of P.R.China, and the patent. NO: 200620122839.3

Technical Parameters of LZB-4/6/10F4 Series Flow Meter

Model	LZB-4 F4	LZB-6 F4	LZB-10 F4
Diameter (mm)	Φ4	Φ6	Φ10
Range	Liquid l/h	1-10 1.6-16 2.5-25	2.5-25 4-40 6-60
	Gas m ³ /h	0.016-0.16 0.025-0.25 0.04-0.4	0.04-0.4 0.06-0.6 0.1-1 0.16-1.6 0.25-2.5
	Accuracy (±%)	4	4
Pressure (MPa)	≤0.6	≤0.6	≤0.6

Dimensions of LZB-4F4/6F4/10F4

Model	Dimensions (mm)						
	A	B	C	D1	D2	E	F
LZB-4F4	80	120	150	(F)1/4"BSP	Φ9	37.5×34	2-M6
LZB-6F4	80	120	150	(F)1/4"BSP	Φ9	37.5×34	2-M6
LZB-10F4	80	120	150	(F)1/4"BSP	Φ9	37.5×34	2-M6

LZB-4WB/6WB/10WB Series Glass Rotameter

LZB-WB consists of three(3) specifications including Φ6 and Φ10. Being small and cute, this flowmeter is suitable for application in limited space e.g. analysis instruments, environmental protection equipment, medical apparatuses among other testing devices.

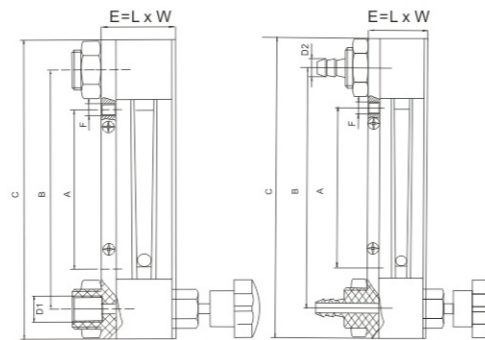
Technical Parameters of LZB-4WB/6WB/10WB

Model	Range		Accuracy	Working Pressure	Working Temperature
	Water l/min	Air l/min			
LZB-4WB	16-160ml/min	0.3-3	±4%	≤1MPa	0-60℃
	25-250ml/min	0.6-6			
LZB-6WB	0.04-0.4	0.7-7	±2.5%	≤1MPa	0-60℃
	0.06-0.6	1-10			
LZB-10WB	0.1-1	1.5-15	±2.5%	≤1MPa	0-60℃
	0.1-1	3-30			
	0.16-1.6	5-45			

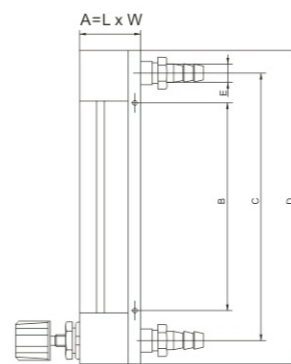
WB: With regulator W: Without regulator

Dimension of LZB-4WB/6WB/10WB

Model	Dimensions (mm)				
	A	B	C	D	E
LZB-4WB	26×25	90	116	136	Φ8
LZB-6WB	28×25	90	116	136	Φ11
LZB-10WB	28×25	90	140	160	Φ11



■ Threaded connection ■ Hose connection



LZB Glass Tube Rotameter

LZB-3/4/6/10 Series

Glass rotameter is used to measure the instantaneous one-way nonpulsating Flux of liquid or gases in pipes. Fields such as chemical, petroleum, medicine, fertilizer, food, sugar refinery, paper marking, light industry, textile, printing and dyeing, environmental protection etc. PTFE, the high quality corrosion resistant material is used at the main contact parts of the corrosion resistant glass rotameter to contact the medium. It has a very good performance of corrosion resistance in measuring various kinds of acid flow (except for hydrofluoric acid), alkali, oxidant, strong oxidation acid, organic solvent and other erosive gases and liquids.

Technical Parameters of LZB-Series Glass Rotameter

Model Diameter (mm)	LZB-3	LZB-4	LZB-6	LZB-10	
	Φ3	Φ4	Φ6	Φ10	
Range	Liquid l/h	2.5-25ml/min	1-10	★1-10	6-60
		4-40ml/min	1.6-16	★100-800ml/min	10-100
		6-60ml/min			
		★10-80ml/min	2.5-25	4-40	16-160
		10-100ml/min	★3.6-36	6-60	★25-250
Range	Gas Nm ³ /h	0.03-0.3l/min	★0.2-2.5l/min	0.04-0.4	0.1-1
		0.06-0.6l/min			0.16-1.6
		0.1-1l/min	0.016-0.16	0.06-0.6	0.25-2.5
		0.15-1.5l/min	0.025-0.25	★1-10l/min	★5-50l/min
		★0-100l/h	0.04-0.4	0.1-1	★0.5-5 ★0.6-6 ★0.6-7
Accuracy (±%)	4, 6	2.5, 4	2.5	2.5	
Pressure (MPa)	≤0.6	≤1	≤1	≤1	

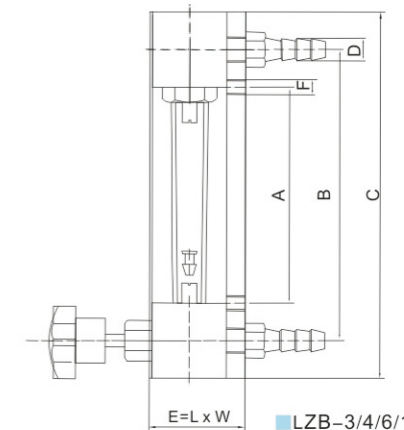
Range with ★ represents customer tailored special range.

Dimensions of LZB-3/4/6/10(include Model F,S,B) Flow Meter

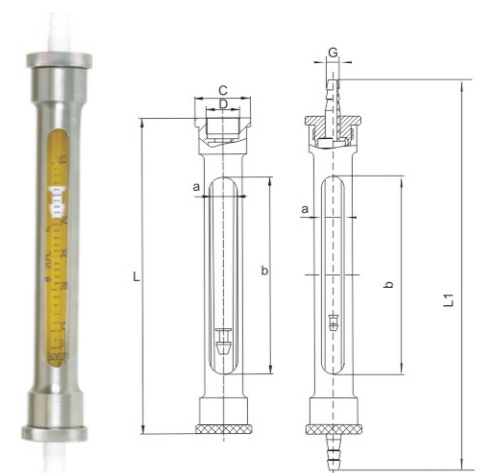
Model	Dimensions (mm)					
	A	B	C	D	E	F
LZB-3		116	136	Φ8	26×25	
LZB-4	178	204	234	Φ9	39.5×34	2-M6
LZB-6	178	204	234	Φ9	39.5×34	2-M6
LZB-10	178	208	238	Φ12	39.5×34	2-M6

Dimensions of LZB-4G/6G/10G Tube Type Flow Meter

Model	Threaded Connection				Hose Connection		
	L	a × b	C	D	L1	a × b	G
LZB-4G LZB-6G	198	12×123	Φ35	1/4"BSP	240	12×123	Φ8
LZB-10G	198	14×123	Φ35	1/2"BSP	240	14×123	Φ11



■ LZB-3/4/6/10



■ LZB-4G/6G/10G

LZB Glass Tube Rotameter

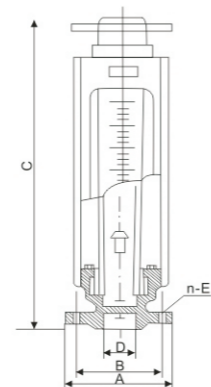
Technical Parameters of LZB-B Series Glass Rotameter

Model	LZB-15B	LZB-25B	LZB-40B	LZB-50B	LZB-80B	LZB-100B	LZB-100B	
Diameter (mm)	Φ15	Φ25	Φ40	Φ50	Φ80	Φ100	Φ100	
Range	Liquid l/h	★6-60	40-400	160-1600	★160-1600	1-10 m ³ /h	5-25 m ³ /h	★20-90 m ³ /h
		★8-80	60-600	★180-1800	400-4000	1.6-16 m ³ /h	★6-35 m ³ /h	★20-100 m ³ /h
		16-160	100-1000	250-2500	600-6000	★2-20 m ³ /h	8-40 m ³ /h	★30-100 m ³ /h
		25-250	★160-1600	★300-3000	★800-8000	★3-25 m ³ /h	★12-60 m ³ /h	★50-120 m ³ /h
		40-400		★400-4000	★1-10 m ³ /h	★8-40 m ³ /h	★16-80 m ³ /h	
				★1-5 m ³ /h	★4-16 m ³ /h			
Gas m ³ /h	0.25-2.5	★0.8-8	4-40	★6-60	50-250	★60-200	★300-1500	
	0.4-4	1-10	★5-50	10-100	80-400	★80-400	★300-1600	
	0.6-6	1.6-16	6-60	16-160	★750-7500l/min	★100-500	★400-2000	
	★0.8-8	2.5-25	★7-70	★20-200	★60-600	120-600	★500-2500	
	★1-10	★3-30	★8-80	★30-300		200-1000		
		★4-40	★10-100	★50-250				
			★80-400					
Accuracy(±%)	2.5	1.5	1.5	1.5	1.5	1.5	1.5	
Pressure(MPa)	≤0.6	≤0.6	≤0.6	≤0.6	≤0.4	≤0.4	≤0.4	

Range with ★represents customer tailored special range.

Technical Parameters of LZB-BF Series Glass Rotameter

Model	LZB-15BF	LZB-25BF	LZB-40BF	LZB-50BF	LZB-80BF	LZB-100BF	
Diameter (mm)	Φ15	Φ25	Φ40	Φ50	Φ80	Φ100	
Range	Liquid l/h	16-160	40-400	160-1600	400-4000	1-10 m ³ /h	5-25 m ³ /h
		25-250	60-600	250-2500	600-6000	1.6-16 m ³ /h	8-40 m ³ /h
		40-400	100-1000				
	Gas m ³ /h	0.25-2.5	1-10	4-40	10-100	50-250	120-600
		0.4-4	1.6-16	6-60	16-160	80-400	200-1000
		0.6-6	2.5-25				
Accuracy(±%)	4	2.5	2.5	2.5	2.5	2.5	
Pressure(MPa)	≤0.6	≤0.6	≤0.6	≤0.6	≤0.4	≤0.4	



The Drawing and Installation Dimensions of LZB- (Ind.Model F · S · B)

Model	Dimensions (mm)				
	A	B	C	D	n-E
LZB-15	Φ95	Φ65	470±2.5	Φ15	4-Φ14
LZB-25	Φ115	Φ85	470±2.5	Φ25	4-Φ14
LZB-40	Φ145	Φ110	570±3	Φ40	4-Φ18
LZB-50	Φ160	Φ125	570±3	Φ50	4-Φ18
LZB-80	Φ185	Φ150	660±3.5	Φ80	4-Φ18
LZB-100	Φ205	Φ170	660±3.5	Φ100	4-Φ18

Note: Made LZB-15 no leader

LZB Glass Tube Rotameter

Technical Parameters of LZB-Series Glass Rotameter

Model	LZB-15	LZB-25	LZB-40	LZB-50	LZB-80	LZB-100	LZB-100	
Diameter (mm)	Φ15	Φ25	Φ40	Φ50	Φ80	Φ100	Φ100	
Range	Liquid l/h	★6-60	40-400	160-1600	★160-1600	1-10 m ³ /h	5-25 m ³ /h	★20-90 m ³ /h
		★8-80	60-600	★180-1800	400-4000	1.6-16 m ³ /h	★6-35 m ³ /h	★20-100 m ³ /h
		16-160	100-1000	250-2500	600-6000	★2-20 m ³ /h	8-40 m ³ /h	★30-100 m ³ /h
		25-250	★160-1600	★300-3000	★800-8000	★3-25 m ³ /h	★12-60 m ³ /h	★50-120 m ³ /h
		40-400		★400-4000	★1-10 m ³ /h	★8-40 m ³ /h	★16-80 m ³ /h	
				★1-5 m ³ /h	★4-16 m ³ /h			
Gas m ³ /h	0.25-2.5	★0.8-8	4-40	★6-60	50-250	★60-200	★300-1500	
	0.4-4	1-10	★5-50	10-100	80-400	★80-400	★300-1600	
	0.6-6	1.6-16	6-60	16-160	★750-7500l/min	★100-500	★400-2000	
	★0.8-8	2.5-25	★7-70	★20-200	★60-600	120-600	★500-2500	
	★1-10	★3-30	★8-80	★30-300		200-1000		
		★4-40	★10-100	★50-250				
			★80-400					
Accuracy(±%)	2.5	1.5	1.5	1.5	1.5	1.5	1.5	
Pressure(MPa)	≤0.6	≤0.6	≤0.6	≤0.6	≤0.4	≤0.4	≤0.4	



Technical Parameters of LZB-F Series Glass Rotameter

Model	LZB-15F	LZB-25F	LZB-40F	LZB-50F	LZB-80F	LZB-100F	
Diameter (mm)	Φ15	Φ25	Φ40	Φ50	Φ80	Φ100	
Range	Liquid l/h	16-160	40-400	160-1600	400-4000	1-10 m ³ /h	5-25 m ³ /h
		25-250	60-600	250-2500	600-6000	1.6-16 m ³ /h	8-40 m ³ /h
		40-400	100-1000				
	Gas m ³ /h	0.25-2.5	1-10	4-40	10-100	50-250	120-600
		0.4-4	1.6-16	6-60	16-160	80-400	200-1000
		0.6-6	2.5-25				
Accuracy(±%)	4	2.5	2.5	2.5	2.5	2.5	
Pressure(MPa)	≤0.6	≤0.6	≤0.6	≤0.6	≤0.4	≤0.4	



Technical Parameters of LZB-S Series Glass Rotameter

Model	LZB-10S	LZB-15S	LZB-25S	LZB-40S	LZB-50S	LZB-80S
Diameter (mm)	10	15	25	40	50	80
Liquid l/h	10-100	2-70	100-400	120-1500	450-7000	1.5-15 m ³ /h
		2-90	70-700	200-2000	450-8000	2-20 m ³ /h
		4-90	100-700	300-1750	700-7000	7-30 m ³ /h
		6-105				7-31.5 m ³ /h
Accuracy(±%)	1.5	1.5	1.5	1.5	1.5	1.5
Pressure(MPa)	≤1.0	≤0.6	≤0.6	≤0.6	≤0.6	≤0.4

Media contacting parts of corrosion resistant flowmeter is made of:
 High boron silicon glass for tube;
 PTFE for float and leader;
 F46 for o-ring.

LZB Glass Tube Rotameter

LZB-DK100/DK 200 Series

Fitting of this series is high precision flowmeteris made of SS304 or aluminium,It is applicable to integration of measuring equipment, and sevice of research department etc.The design with panel permits easy installatcion.

Working Pressure : $\leq 0.8\text{Mpa}$

Working Temperature: $\leq 120^\circ\text{C}$

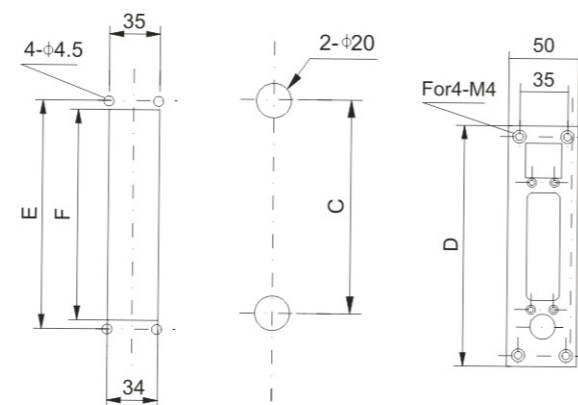
Technical Parmeters of LZB-DK100/DK200 Series

Water (L/min)	Air (NL/min)	Thread	Accuracy
20-200ml/min	0.3-3	(F) 1/8"NPT	$\pm 2.5\%$
30-300ml/min	0.5-5		
50-500ml/min	1-10	(F) 1/4"NPT (F) 1/4"BSP	
0.1-1	2-20		
0.15-1.5	3-30		
0.2-2	5-50		



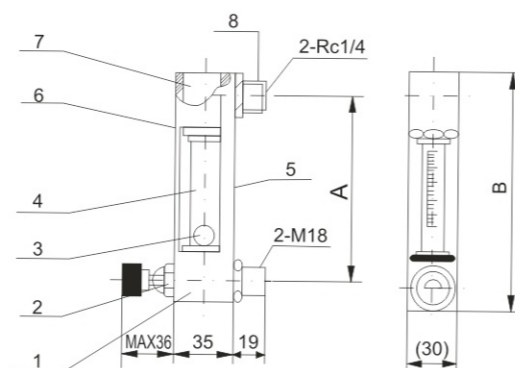
The material and code of the parts

No	Part Name	Material	Quantity
1	Needle valve	LY11	2
2	Base	SS304	1
3	Float	SS304 or Agate	1
4	Measure Tube	Borosilicate glass	1
5	Backboard	LY11	1
6	Outer Housing	Acrylic	1
7	Inserts	SS304	1
8	Fittings	SS304	2



LZB-DK100/DK200 Dimensions for Installation

Size (mm)	DK100	DK200
A	115	200
B	140	225
C	115	200
D	175	255
E	160	283
F	145	227



LZB Glass Tube Rotameter

LZB-DK 300 Series

DK-300 Seres glass rotameter is consisted of a tapered glass tube,base plates on both ends and four holding studs.Easy installation,thread assembled and equipped with flow control valves.

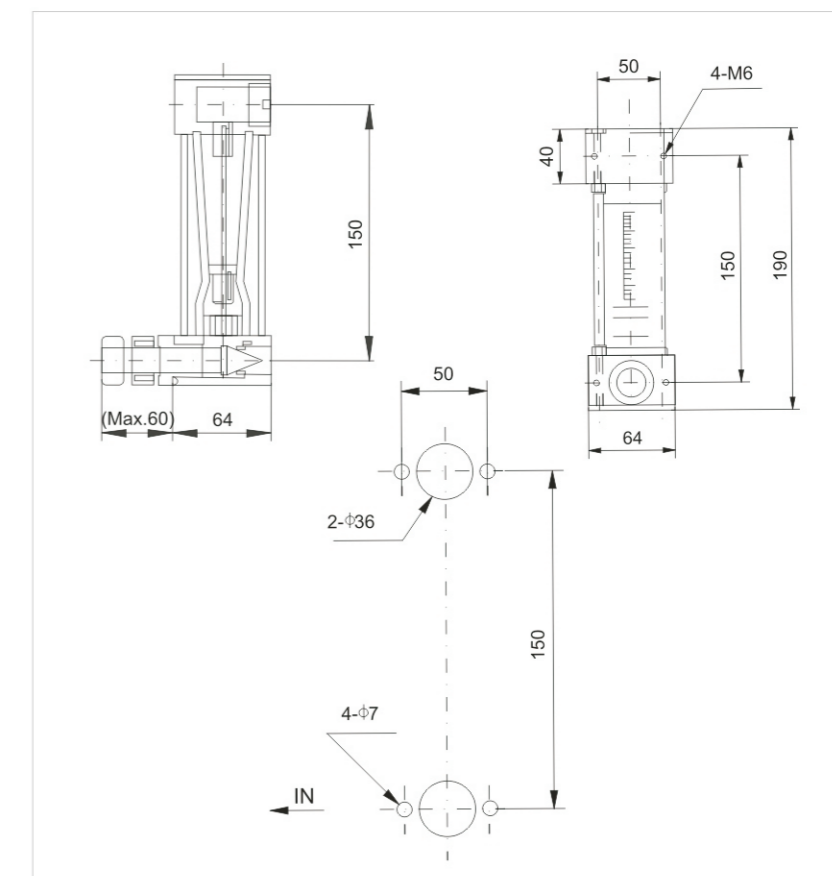
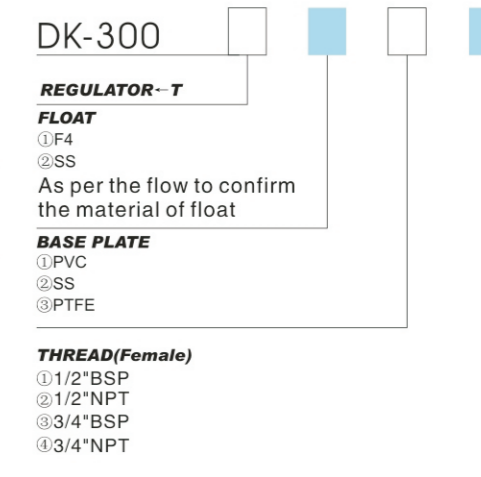
It is suitable for the small or large capacity flow measuring.Especialy in semi-conductor chemical fluid etc.

Working Pressure: $\leq 0.6\text{Mpa}$

Working Temperature:PVC(max60°C) PTFE(max80°C) SS304(MAX120°C)

Technical Parameters of LZB-DK300 Series

Model	Range (L/min)		Thread	Accuracy
	Water 20°C	Air101KPa 20°C		
DK-300 Or DK-300T	1-10	40-400	1/2"BSP 1/2"NPT 3/4"BSP 3/4"NPT	$\pm 5\%$
	2-20	60-600		
	3-30	90-900		
	4-40	120-1200	3/4"BSP 3/4"NPT	
	5-50	150-1500		
	12-60	400-1800		



LZB Glass Tube Rotameter

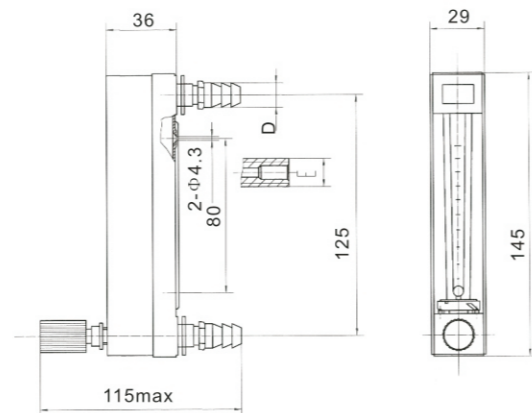
LZB-DK800

DK800 series glass rotameter ,The compacted flowmeter is suitable for measuring and regulating small flowrate. Smart design permits convenient replacement Of(tapered glass)tube and float with the flowmeter staying in the pipe run. It can be connected to either Hoses or metal pipes.

Main Technical Parameters

Model	Diameter (mm)	Range (L/h)		Accuracy (± %)	Media State		D	E	Outer Diameter Of Metal Pipe (mm)
		Water 20 °C	Air 101325Pa2°C		Working Temperature	Working Pressure			
DK800-4 DK800-4F	4	0.25-2.5	0.5-5 0.8-8 1.6-16 4-40 6-60	2.5	-20°C~ +120°C	≤1.0MPa	Φ11	M10×1	Φ6
DK800-6 DK800-6F	6	0.5-5 1.2-12 2.5-25 4-40 6-60 10-100 16-160	10-100 25-250 50-500 80-800 100-1000 180-1800 240-2400 300-3000 350-3500 430-4300						

Note:Model with “F” : Corrosion Resistant Model



LZB Glass Tube Rotameter

This Series of flowmeter is made of SS304. There are female Screw thread, Flange Connection and Tri-clamp connection for choice. It is featured in nice looking and low weight.

Main Technical Parameters

Model	Diameter (mm)	Range (L/h)		Accuracy (± %)	Temperature	Working Pressure	
		Water 20 °C	Air 101325Pa20°C (m³/h)				
VA 30S-15 FA 30S-15 WA 30S-15	15	4-40 10-100 16-160 25-250 36-360 46-460 65-650	6.3-63 12-120 20-200 30-300 40-400 63-630 75-750	0.12-1.2 0.3-3 0.5-5 0.8-8 1.2-12	0.2-2 0.4-4 0.6-6 0.9-9 2-20	≤1.0MPa	
VA 30S-25 FA 30S-25 WA 30S-25	25	40-400 63-630 100-1000 160-1600 250-2500	50-500 80-800 120-1200 200-2000 300-3000	1.6-16 2.5-25 4-40 6-60	2-20 3-30 5-50	-20°C~+120°C	
VA 30S-40 FA 30S-40 WA 30S-40	40	160-1600 250-2500 400-4000	200-2000 300-3000 500-5000	5-50 8-80 12-120	6-60 9-90		≤0.9MPa
VA 30S-50 FA 30S-50 WA 30S-50	50	250-2500 400-4000 630-6300 1000-10000 4000-16000	300-3000 500-5000 800-8000 1500-15000	10-100 16-160 30-300	12-120 20-200		≤0.7MPa

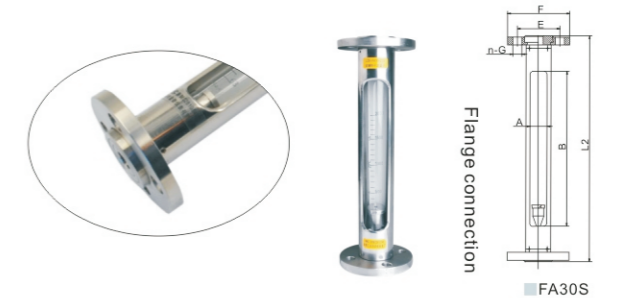
LZB-VA 30S Glass Tube Rotameter Outline Dimensions(mm)

Diameter (mm)	Display window size a × b	VA30S Threaded Connection		
		L1	C	D
15	26×236	344	Φ38	1/2"BSP
25	34×226	348	Φ55	1"BSP
40	44×226	370	Φ70	1 1/2"BSP
50	60×216	380	Φ90	2"BSP



LZB-FA 30S Glass Tube Rotameter Outline Dimensions(mm)

Diameter (mm)	Display window size a × b	FA30S Flange Connection			
		L2	E	F	n-G
15	26×236	348	Φ65	Φ95	4-Φ14
25	34×226	348	Φ85	Φ115	4-Φ14
40	44×226	370	Φ110	Φ145	4-Φ18
50	60×216	370	Φ125	Φ160	4-Φ18



LZB-WA30S Glass Tube Rotameter Outline Dimensions(mm)

Diameter (mm)	Display window size a × b	WA30S Tri-clamp Connection		
		L3	J	K
15	26×236	376	50.5	3/4"
25	34×226	376	50.5	1"
40	44×226	376	50.5	1 1/2"
50	60×216	376	64	2"

